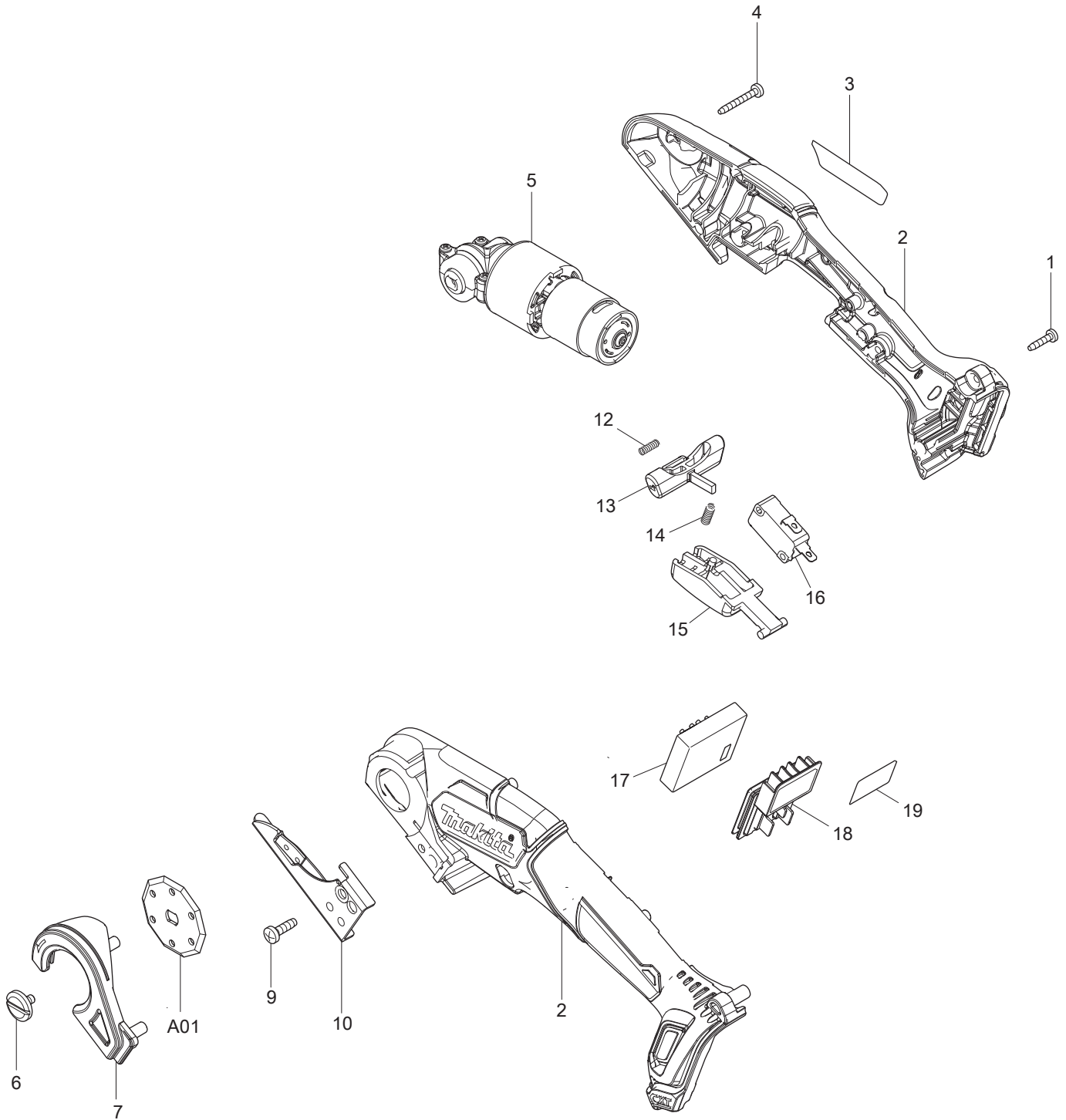




04 - 2017
CP100DZ
12V Max CXT Multi Cutter



PARTS LIST

Item No	Type	Part No	Description	Qty	Unit
001		266404-8	TAPPING SCREW BIND M3X14	6	PC.
002		183G66-8	HOUSING SET	1	SET
003		853H52-6	NAME PLATE F/CP100D	1	PC.
004		251574-6	TAPPING SCREW BIND M3X24	2	PC.
005		126614-8	GEAR ASSEMBLY	1	PC.
006		251571-2	- FLAT HEAD SCREW M4X8	1	PC.
007		457828-1	BLADE COVER	1	PC.
009		266385-6	TAPPING SCREW M4X14	1	PC.
010	1	144620-1	UNDER BLADE COMPLETE	1	PC.
010	2	1410C9-5	UNDER BLADE COMPLETE	1	PC.
012		231469-9	COMPRESSION SPRING 4	1	PC.
013		457829-9	LOCKOFF LEVER	1	PC.
014		233438-6	COMPRESSION SPRING 4	1	PC.
015		457830-4	SWITCH LEVER	1	PC.
016		650744-8	SWITCH D3V-16-3C26	1	PC.
017		620687-8	CONTROLLER	1	PC.
018		644813-5	TERMINAL	1	PC.
019		853H60-7	SERIAL NO. LABEL F/CP100D	1	PC.
A01	1	198604-1	MULTI CUTTER BLADE	1	PC.
A01	2	198603-3	MULTI CUTTER BLADE	1	PC.
A02		-----	12V MAX LI-ION BATTERY, SLIDE TYPE		
A03		DC10SB	RAPID CHARGER DC10SB	1	PC.
A04		-----	LI-ION BATTERY ACCESSORIES		
E01		813A34-8	CAUTION LABEL	1	PC.